

Spare parts list
(5.971-147.0) Spare parts list K5.68 */CA

Table of contents

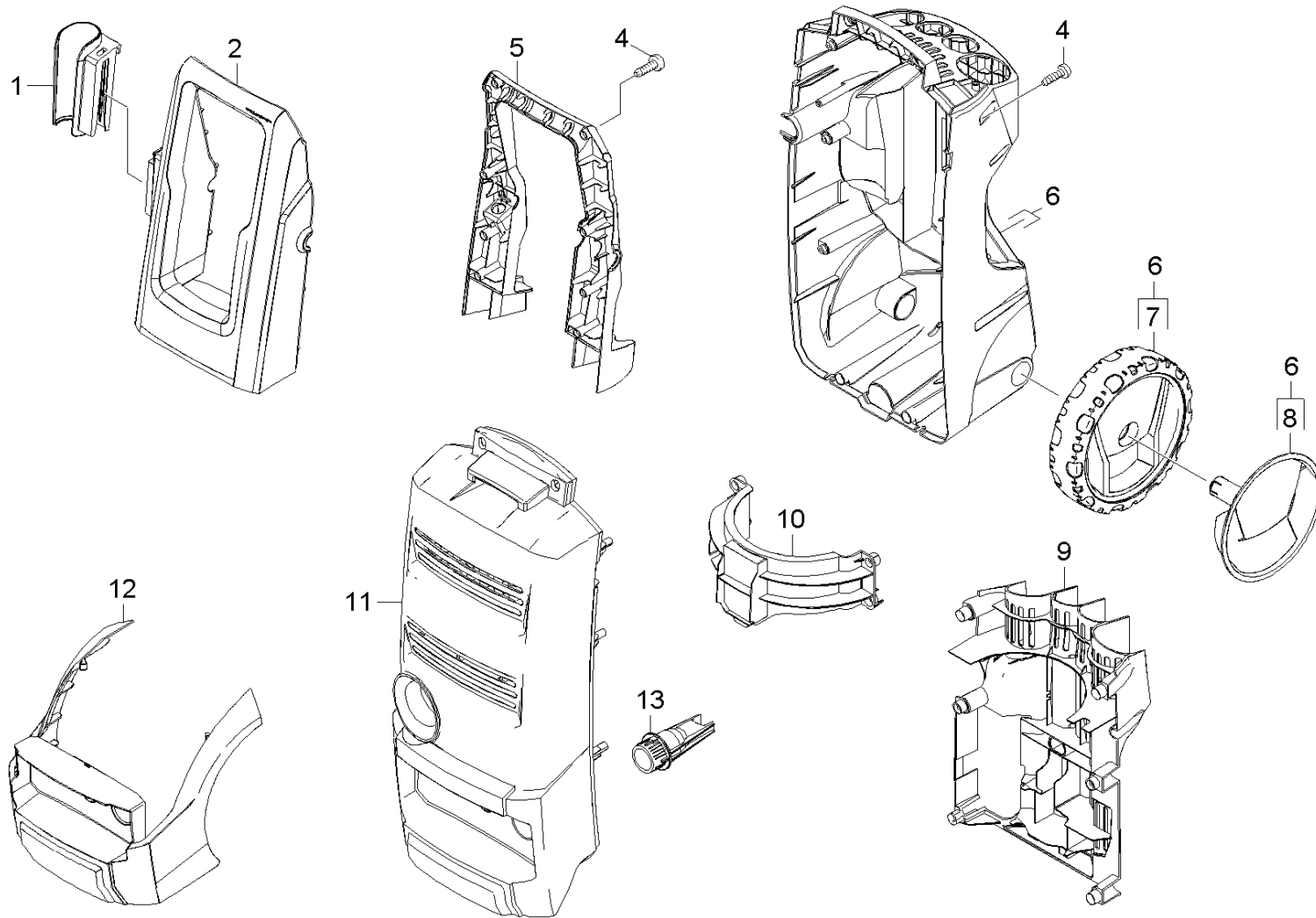
Spare parts list K5.68 */CA (5.971-147.0)	6
10 Housing (0.109-724.0)	7
21 Housing (0.109-733.0)	8
22 Hose reel (0.109-734.0)	10
23 Hose reel (0.110-757.0)	12
20 Pump set (0.109-725.0)	14
21 Housing (0.109-726.0)	15
22 Thrust guidance (0.109-727.0)	17
30 Motor (0.109-728.0)	19
40 Accessories (0.109-729.0)	21
41 Hand trigger gun (0.109-730.0)	22
3 Spare part set O-Ring seal 5x (2.880-296.0)	24
42 Jet pipe (0.109-731.0)	25
50 Electric box (0.109-732.0)	27

Spare parts list K5.68 */CA (5.971-147.0)

Pos	Material #	Name	Qty.	Unit
10	0.109-724.0	Housing	1.000	ST
20	0.109-725.0	Pump set	1.000	ST
30	0.109-728.0	Motor	1.000	ST
40	0.109-729.0	Accessories	1.000	ST
50	0.109-732.0	Electric box	1.000	ST

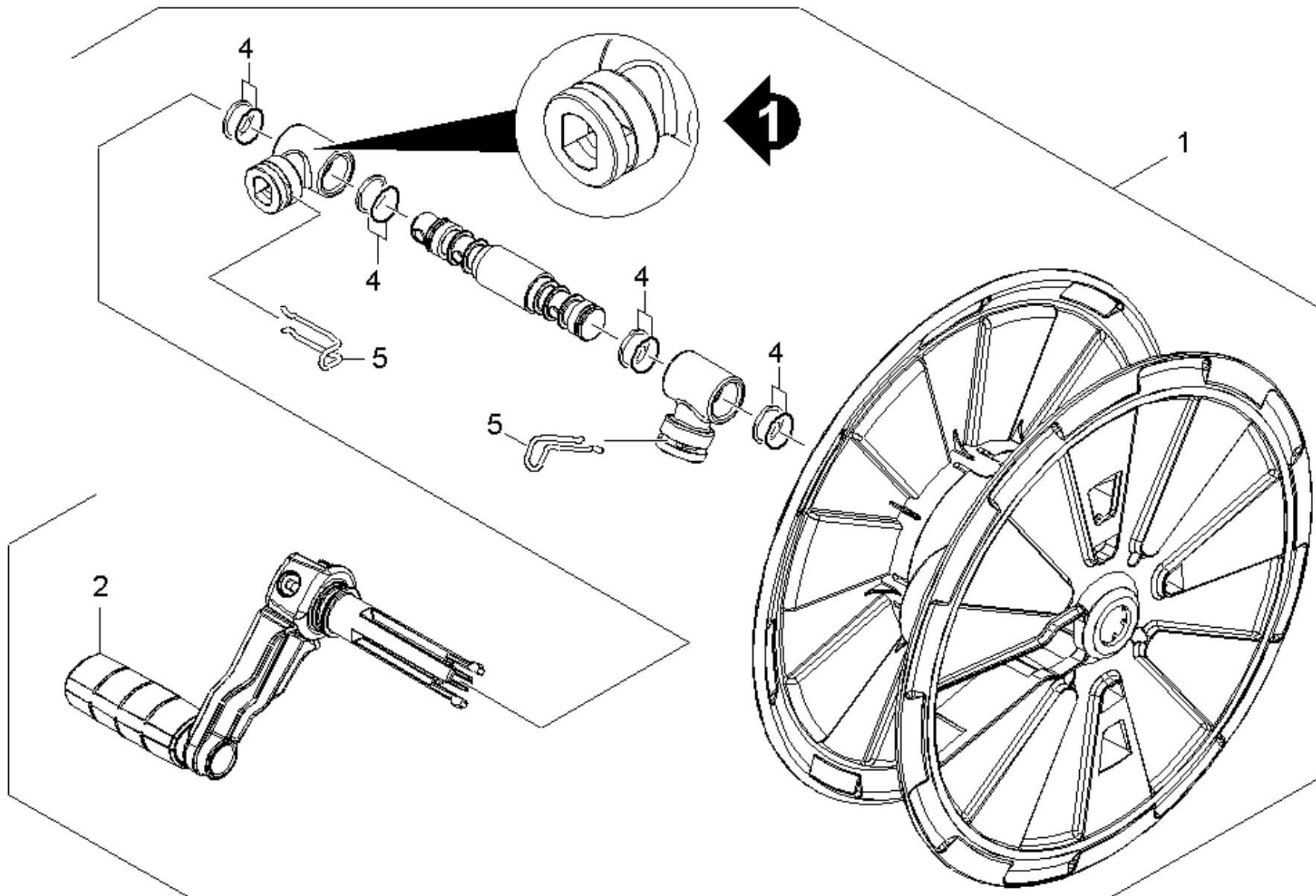
10 Housing (0.109-724.0)

Pos	Material #	Name	Qty.	Unit	var. information
21	0.109-733.0	Housing	1.000	ST	
22	0.109-734.0	Hose reel	1.000	ST	VERSION 1
23	0.110-757.0	Hose reel	1.000	ST	VERSION 2



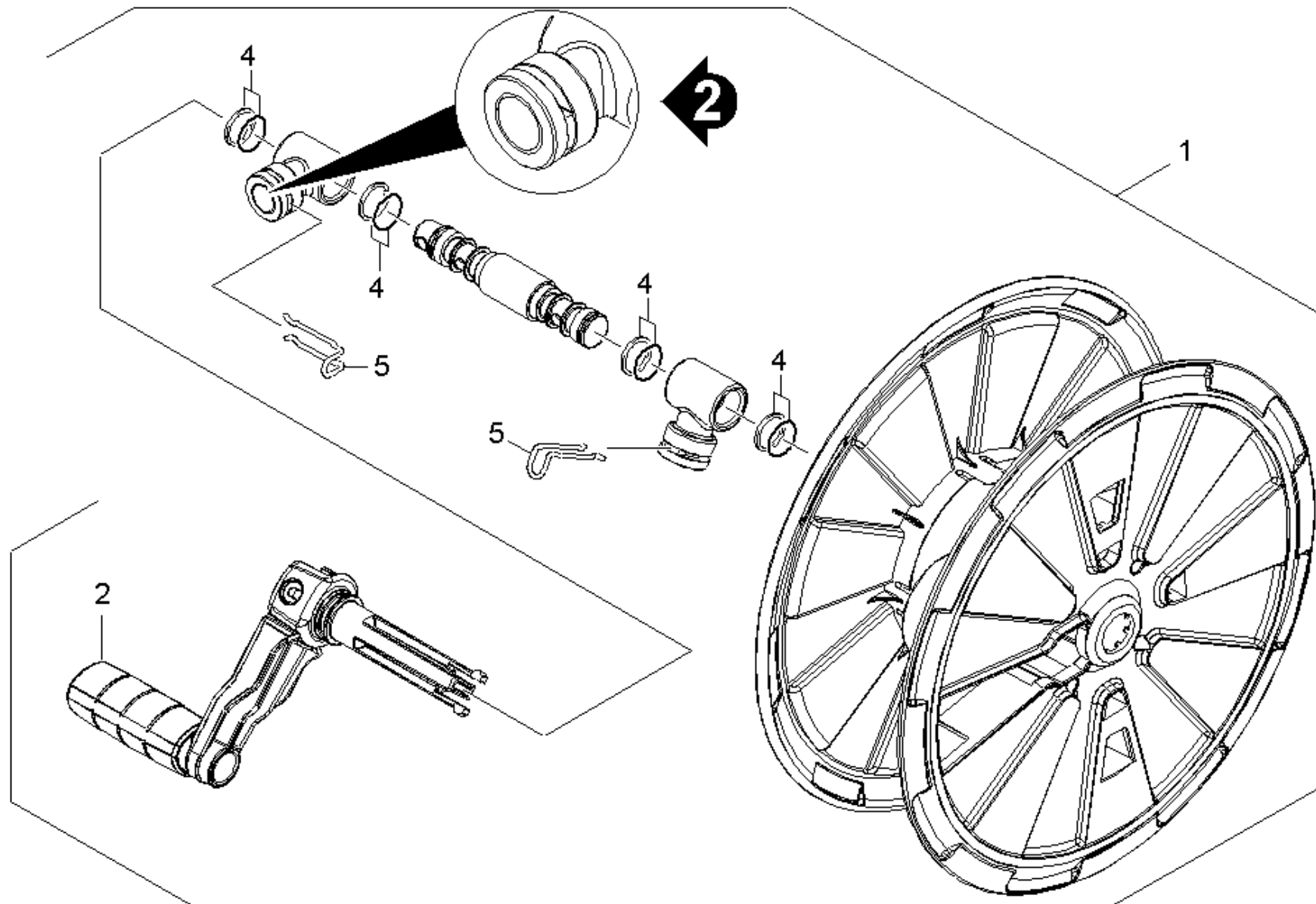
21 Housing (0.109-733.0)

ET/VT (spare/wear parts)	Pos	Material #	Name	Qty.	Unit	Footnote text
	1	9.760-430.0	Pistol holder	1.000	ST	
	2	9.755-174.0	Hand grip front K5.68 */CA spare parts	1.000	ST	
	4	9.086-173.0	Screw Hi-Lo d.4x22 Torx-d.7,5	20.000	ST	
	5	9.755-175.0	Hand grip rear K5.68*/CA spare parts	1.000	ST	
	6	9.755-138.0	Chassis rear complete K3.68	1.000	ST	
	7	9.755-146.0	Wheel set with orifice replacement K3 fa	1.000	ST	SET OF 2 PIECES
X	8	9.755-147.0	Screen wheel kit D200 silver	2.000	ST	SET OF 2 PIECES
	9	9.755-182.0	Pump fixture K5.68 spare parts	1.000	ST	
	10	9.760-387.0	Flange motor bracket	1.000	ST	
	11	9.755-170.0	Cover front K3.68 spare parts	1.000	ST	
	12	9.755-165.0	Bumper K5.68 spare parts	1.000	ST	
	13	9.755-181.0	Bracket hose reel replacement K5.68	1.000	ST	



22 Hose reel (0.109-734.0)

ET/VT (spare/wear parts)	Pos	Material #	Name	Qty.	Unit	var. information
	1	9.755-243.0	Hose reel complete spare part	1.000	ST	VERSION 1
X-X	2	9.755-221.0	Hand crank complete spare part K3-5 Fami	1.000	ST	
X-X	4	6.363-027.0	O-Ring seal complete 1ST.-R.	4.000	ST	
X-X	5	5.059-402.0	Clamp 90°	2.000	ST	

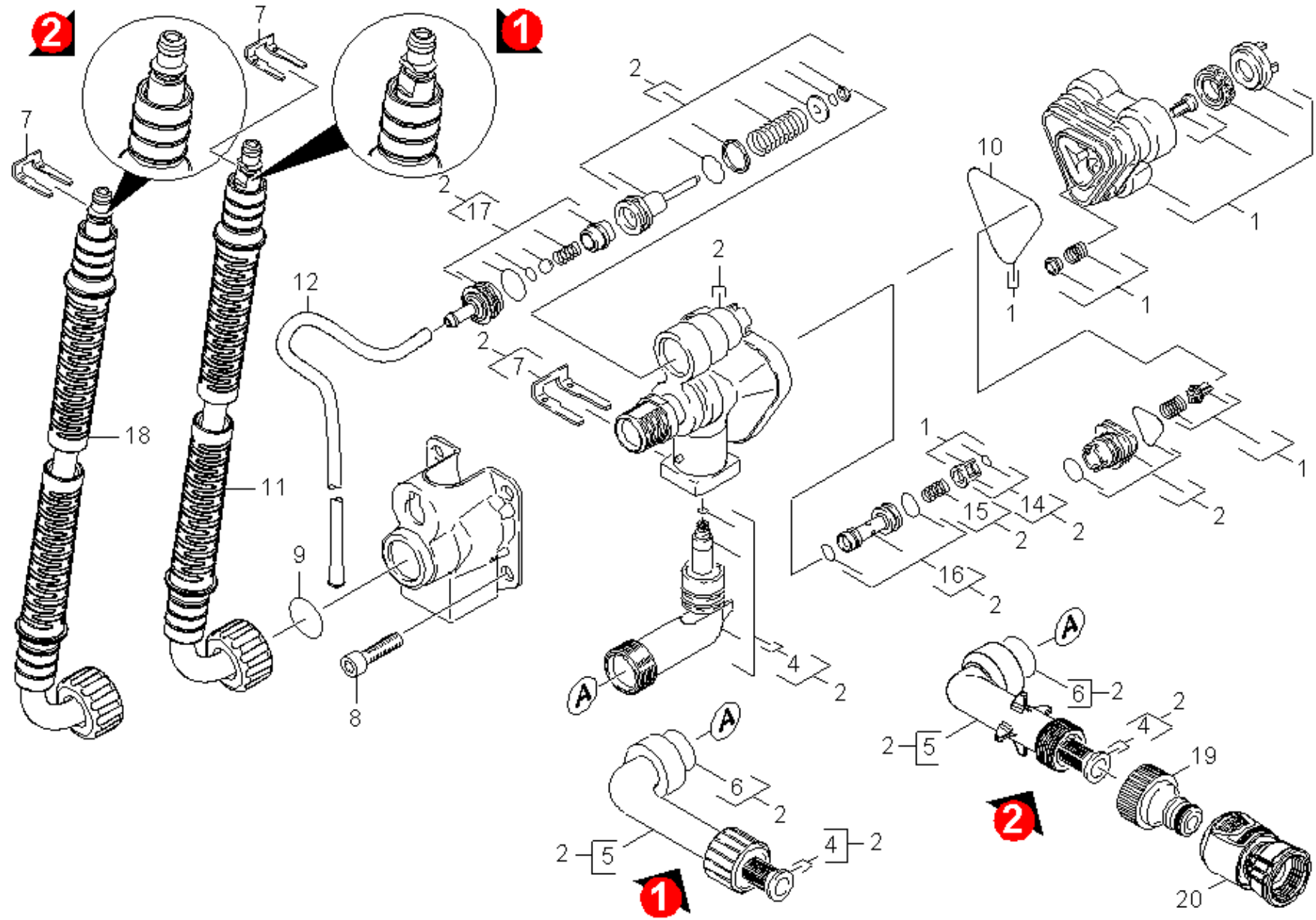


23 Hose reel (0.110-757.0)

ET/VT (spare/wear parts)	Pos	Material #	Name	Qty.	Unit	var. information
X	1	9.755-240.0	Hose reel complete spare part (round fit	1.000	ST	VERSION 2
X-X	2	9.755-221.0	Hand crank complete spare part K3-5 Fami	1.000	ST	
X-X	4	6.363-027.0	O-Ring seal complete 1ST.-R.	4.000	ST	
X-X	5	5.059-402.0	Clamp 90°	2.000	ST	

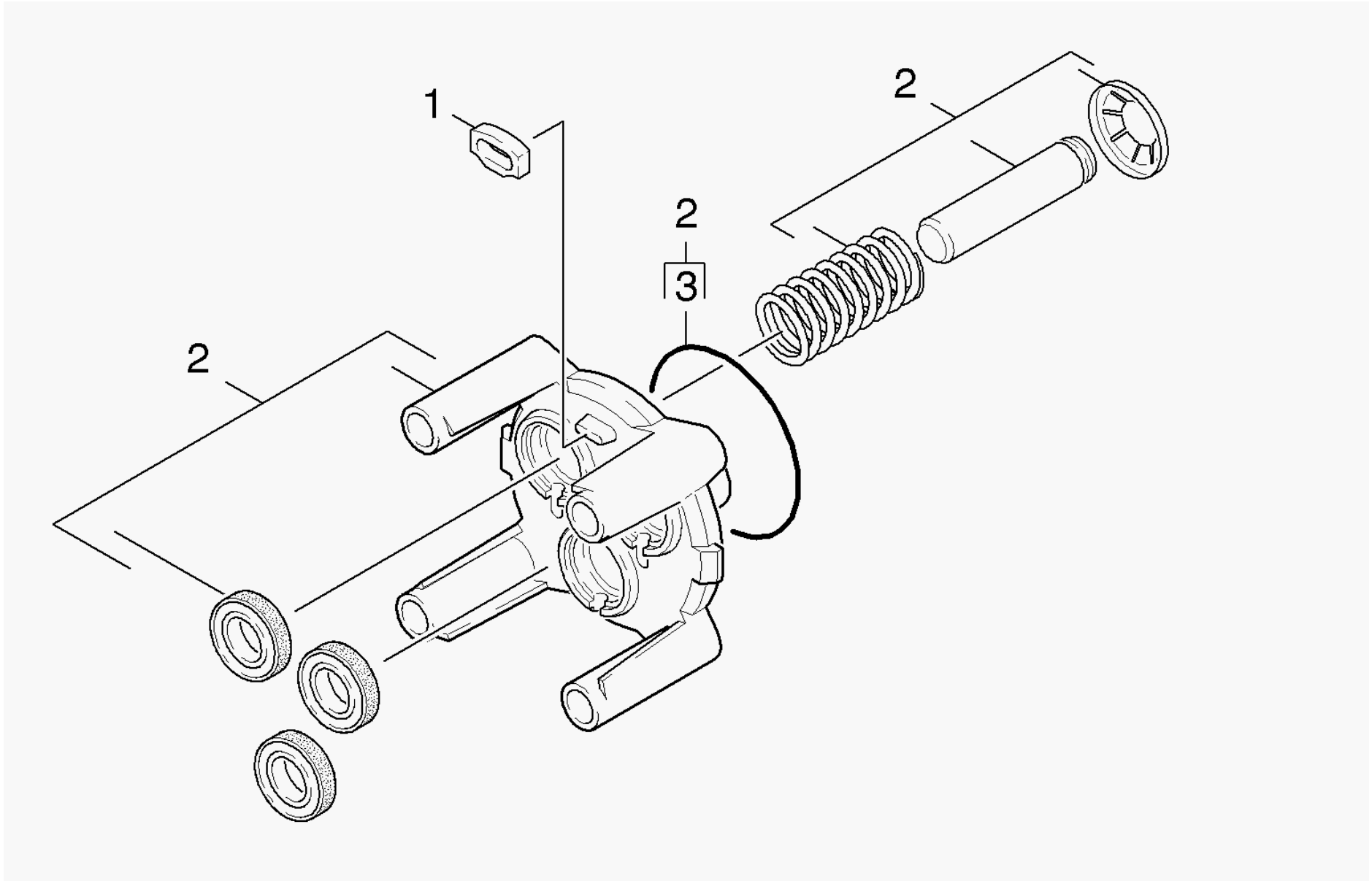
20 Pump set (0.109-725.0)

Pos	Material #	Name	Qty.	Unit
21	0.109-726.0	Housing	1.000	ST
22	0.109-727.0	Thrust guidance	1.000	ST



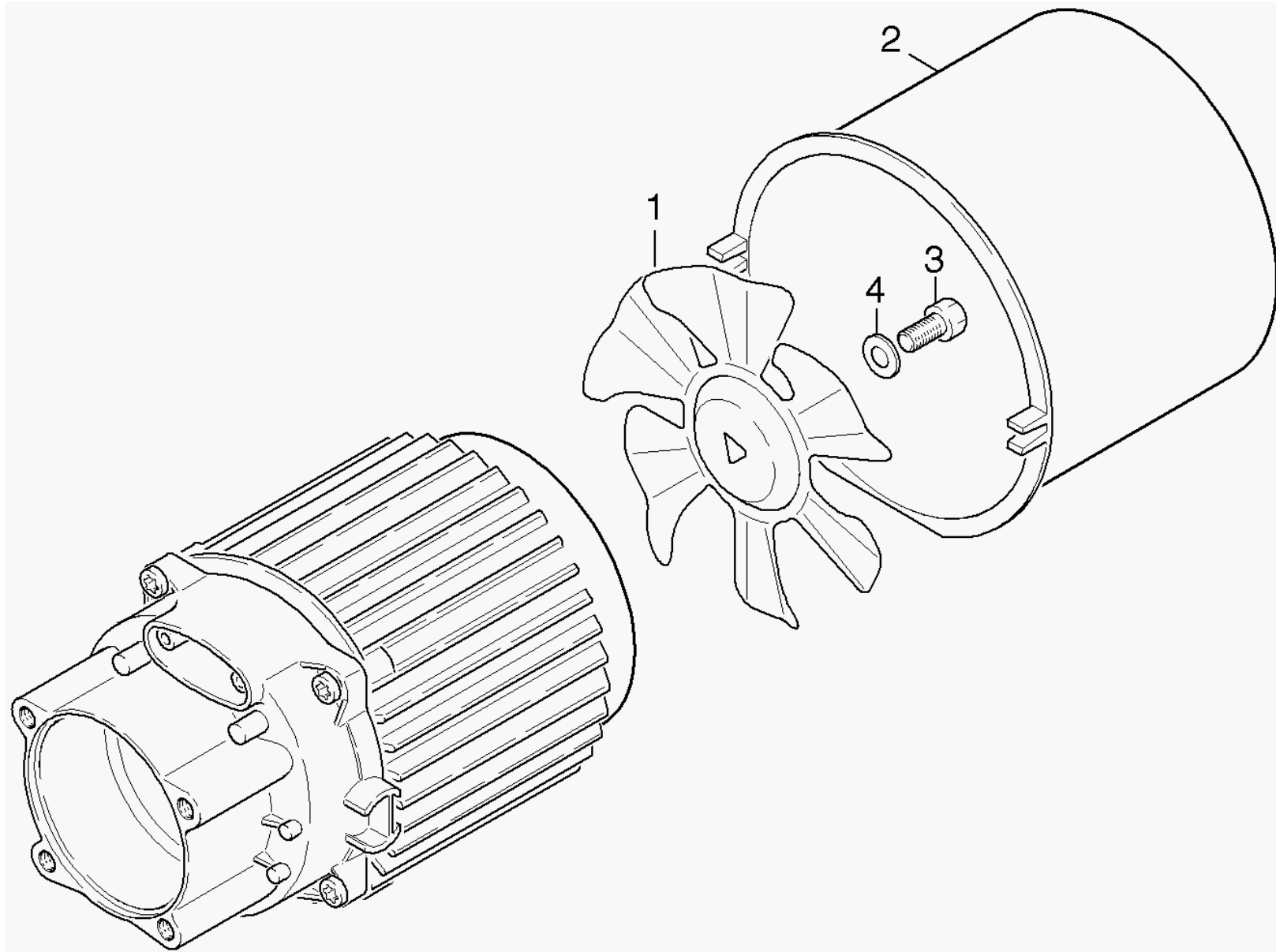
21 Housing (0.109-726.0)

ET/VT (spare/wear parts)	Pos	Material #	Name	Qty.	Unit	var. information	Footnote text
X-X	1	9.755-020.0	H.P. head complete Spare Part	1.000	ST		
	2	9.755-012.0	Housing complete replacement 2000 PSI	1.000	ST		VERSION 2
X-X	2	9.755-068.0	Housing complete replacement 2000 PSI	1.000	ST		VERSION 1
X	4	9.755-082.0	Suction connection complete replacement	1.000	ST		
X	5	9.755-199.0	Suction connection complete replacement	1.000	ST		VERSION 2
X	5	9.755-078.0	Suction connection replacement K3.440	1.000	ST		VERSION 1
	6	9.081-420.0	O-Ring d.17,86x2,62	1.000	ST		
	7	9.039-148.0	Metal fork	2.000	ST		
	8	9.086-200.0	Screw M 8x55 Class 8.8	4.000	ST		
X-X	9	6.362-151.0	O-Ring d. 10 x 2 NBR 70	1.000	ST		
X-X	10	9.081-422.0	Form seal	1.000	ST		
	11	9.755-177.0	High pressure hose hose reel spare parts	1.000	ST	VESRION 1	
	12	9.011-911.0	Filter cleaning agents W107/207	1.000	ST		
	13	6.388-216.0	Hose DN 5	1.000	M		TO ORDER AS CUT GOODS
X	14	9.001-107.0	Cage complete	1.000	ST		
X-X	15	9.047-026.0	Spring	1.000	ST		
X	16	9.001-108.0	Injector complete	1.000	ST		
	17	9.750-058.0	Detergent fitting assembly (CEN)	1.000	ST		
	18	9.750-741.0	High pressure hose hose reel K5.68	1.000	ST	VERSION 2	
X-X	19	6.465-031.0	Connection 3/4	1.000	ST		
X	20	4.645-365.0	Coupler with label complete	1.000	ST		



22 Thrust guidance (0.109-727.0)

Pos	Material #	Name	Qty.	Unit
1	9.048-071.0	Spacer - Seal	1.000	ST
2	9.012-496.0	Thrust guidance complete PA (EX-141)	1.000	ST
3	6.362-826.0	O-Ring seal 61,6x2,62	1.000	ST

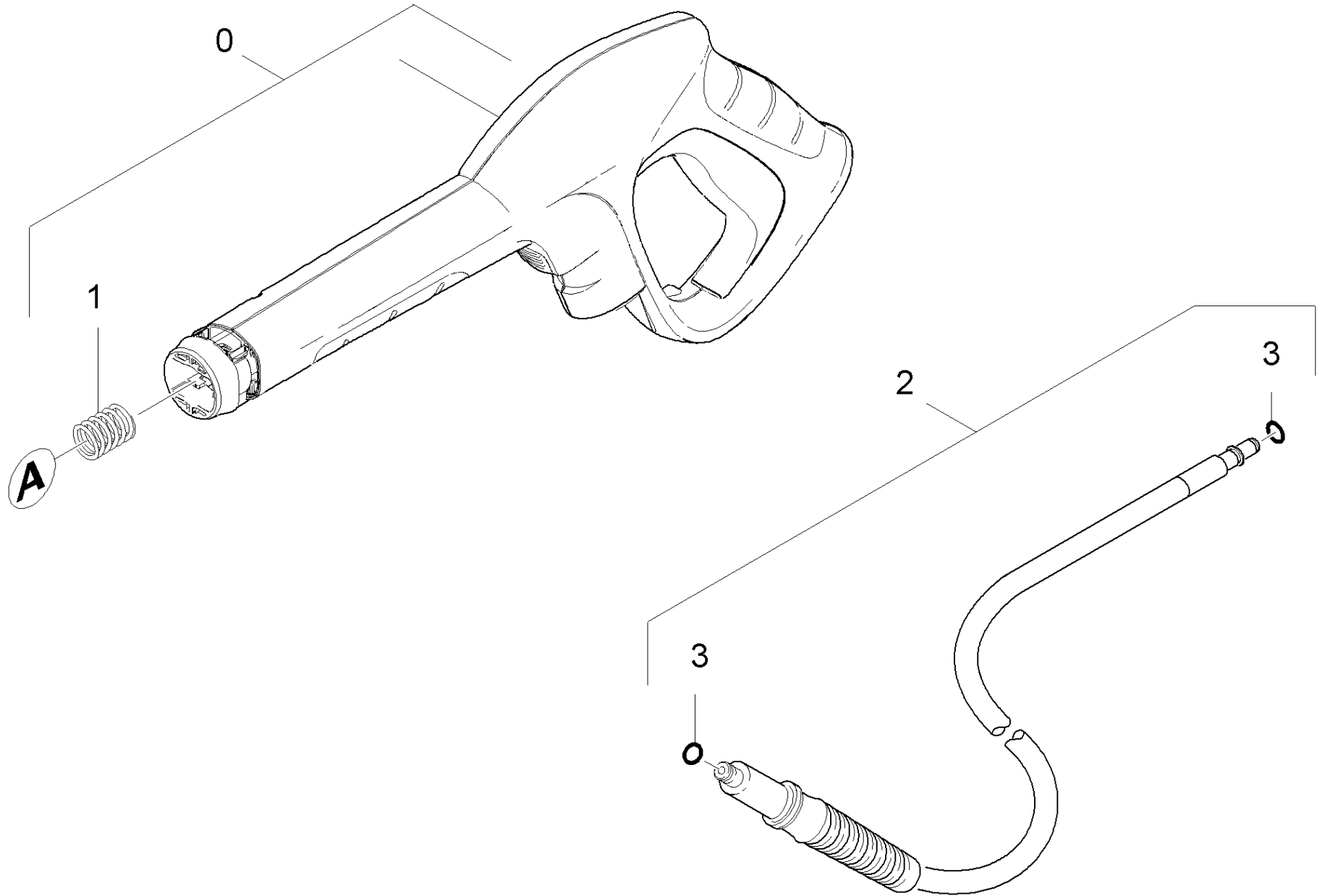


30 Motor (0.109-728.0)

Pos	Material #	Name	Qty.	Unit
1	9.039-188.0	Blower wheel	1.000	ST
2	9.755-166.0	Covering cap blower wheel grey	1.000	ST
3	7.304-395.0	Hexagonal head screw M8x16-8.8-A2E ISO	1.000	ST
4	7.312-233.0	Serrated lock washer A8,4-FSt-A3E DIN67	1.000	ST

40 Accessories (0.109-729.0)

Pos	Material #	Name	Qty.	Unit
41	0.109-730.0	Hand trigger gun	1.000	ST
42	0.109-731.0	Jet pipe	1.000	ST

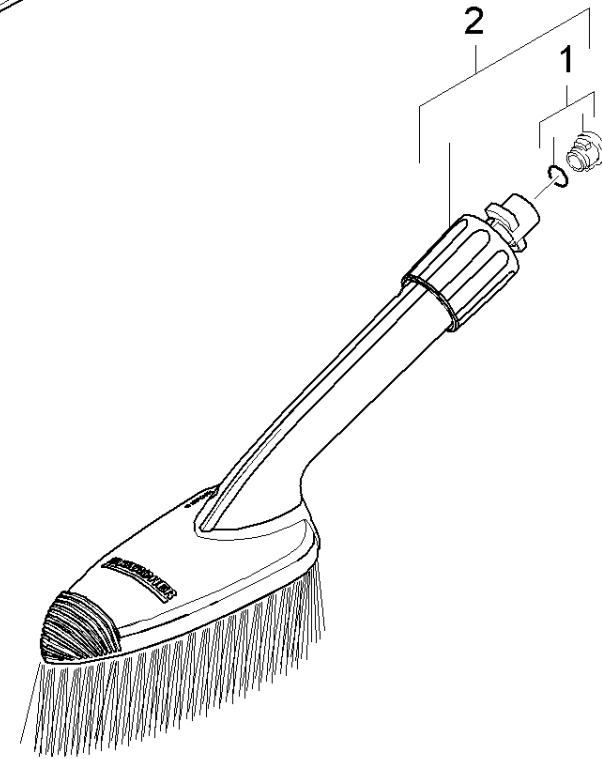
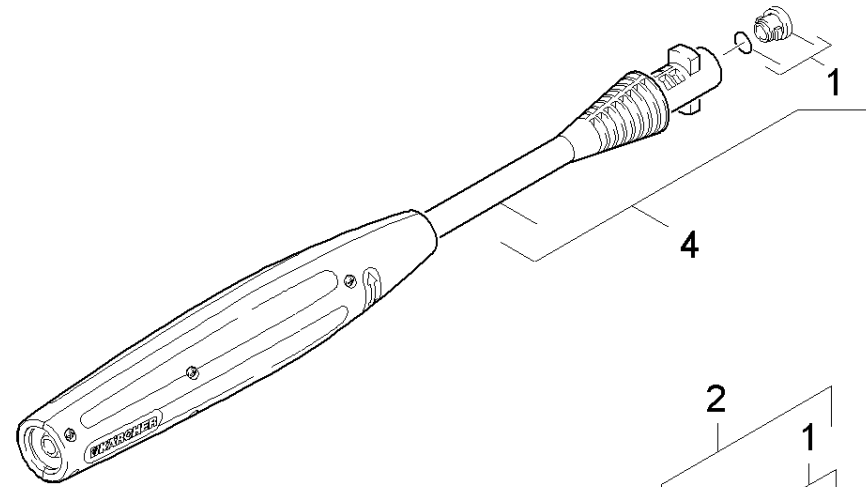
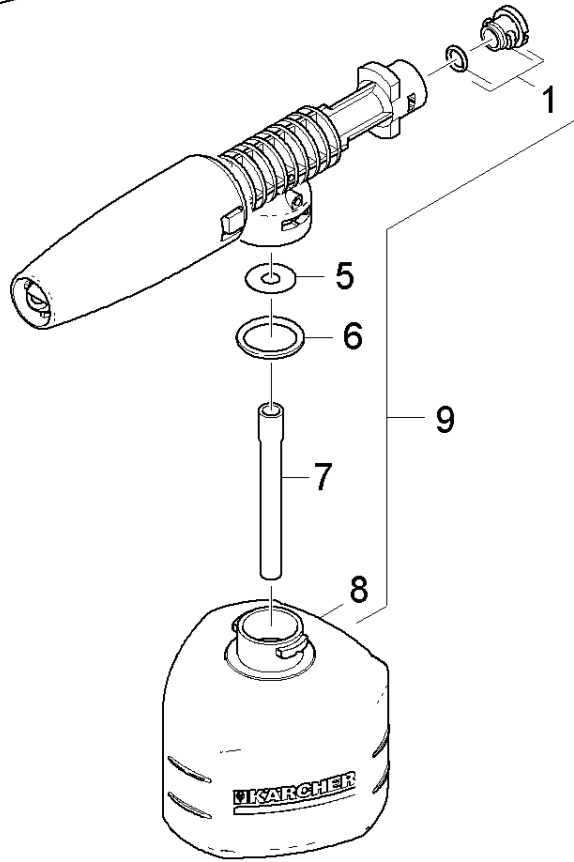
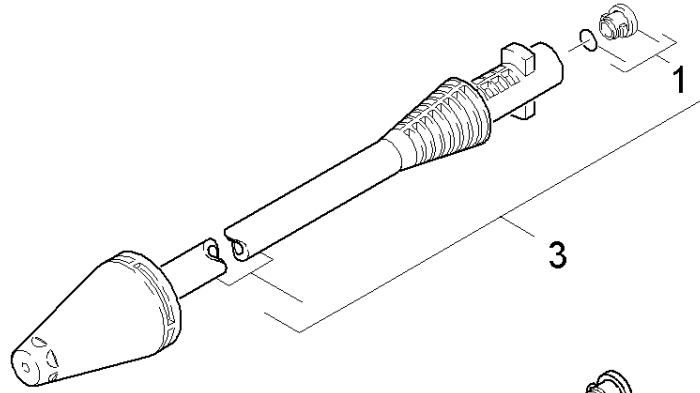


41 Hand trigger gun (0.109-730.0)

ET/VT (spare/wear parts)	Pos	Material #	Name	Qty.	Unit
X-X	0	2.642-172.0	Pistol best 2K verpackt	1.000	ST
	1	5.332-464.0	Pressure spring	1.000	ST
	2	6.391-794.0	High pressure hose 16MPa/9m 60°C	1.000	ST
X-X	3	2.880-296.0	Spare part set O-Ring seal 5x	2.000	ST

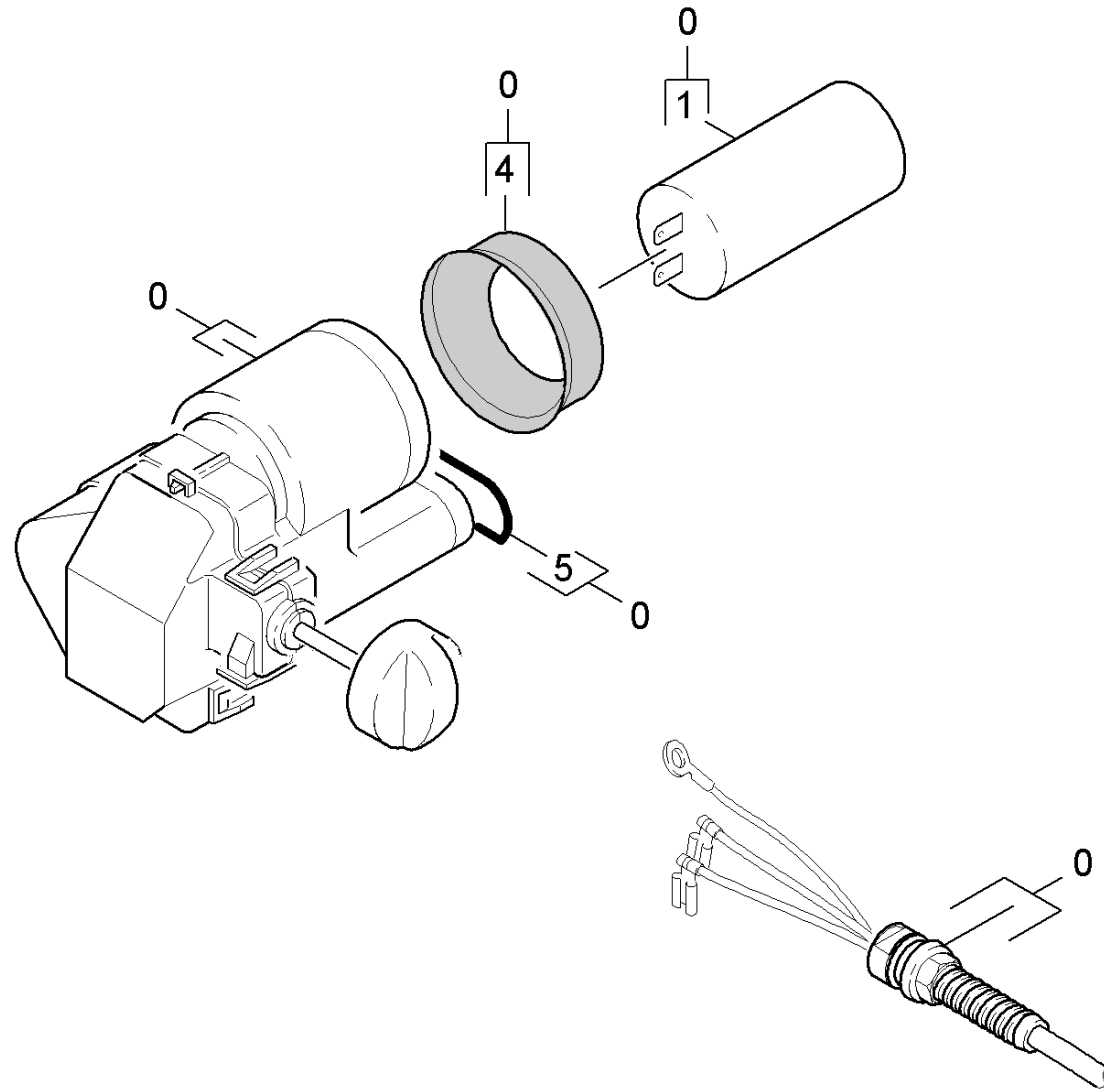
3 Spare part set O-Ring seal 5x (2.880-296.0)

Pos	Material #	Name	Qty.	Unit	from ser.nr.	up to ser.nr.
10	6.362-957.0	O-Ring seal 10,0 X 2,0-EPDM 85-90	5.000	ST	0000000000	0000000000



42 Jet pipe (0.109-731.0)

ET/VT (spare/wear parts)	Pos	Material #	Name	Qty.	Unit	Footnote text
X-X	1	2.640-729.0	O-Ring seal set	1.000	ST	
X-X	2	2.640-589.0	Brush lengthwise	1.000	ST	
	3	4.764-243.0	Dirt blaster K2 027 St	1.000	ST	
X	4	4.760-623.0	VPS K3 021K	1.000	ST	
	5	5.367-026.0	Diaphragm	1.000	ST	
	6	6.362-874.0	O-Ring seal 21x3 - NBR 70	1.000	ST	
	7	6.388-216.0	Hose DN 5	1.000	M	TO ORDER AS CUT GOODS
	8	5.071-203.0	Tank cleaning agents 0,3 l	1.000	ST	
	9	2.642-184.0	Foam nozzle 0,3 l *KNA	1.000	ST	



50 Electric box (0.109-732.0)

Pos	Material #	Name	Qty.	Unit
0	9.755-115.0	Electric box complete replacement K3.68	1.000	ST
1	6.661-196.0	Capacitor 60 μ F	1.000	ST
4	9.760-118.0	Seal	1.000	ST
5	9.081-417.0	O-Ring d.20 x 2	1.000	ST